

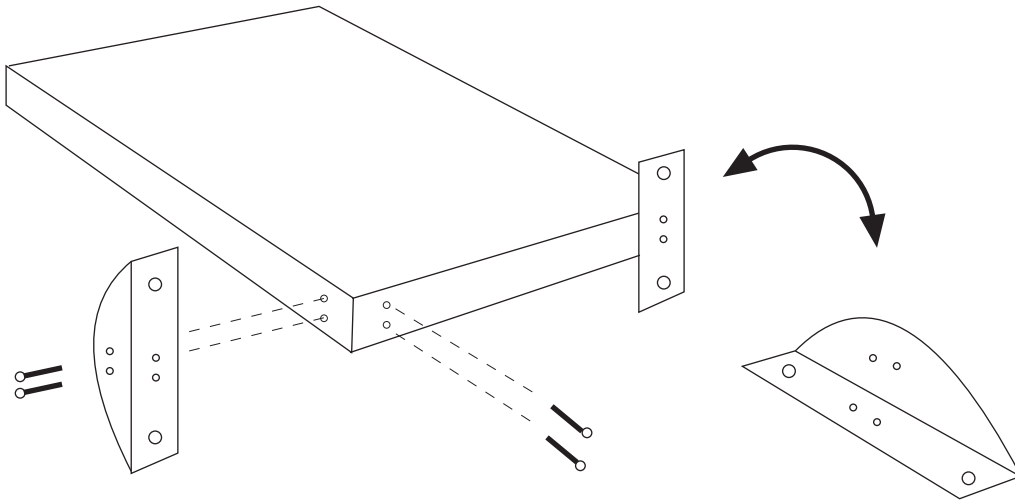
Instructions:

How to install a stainless steel water wall with plastic reservoir

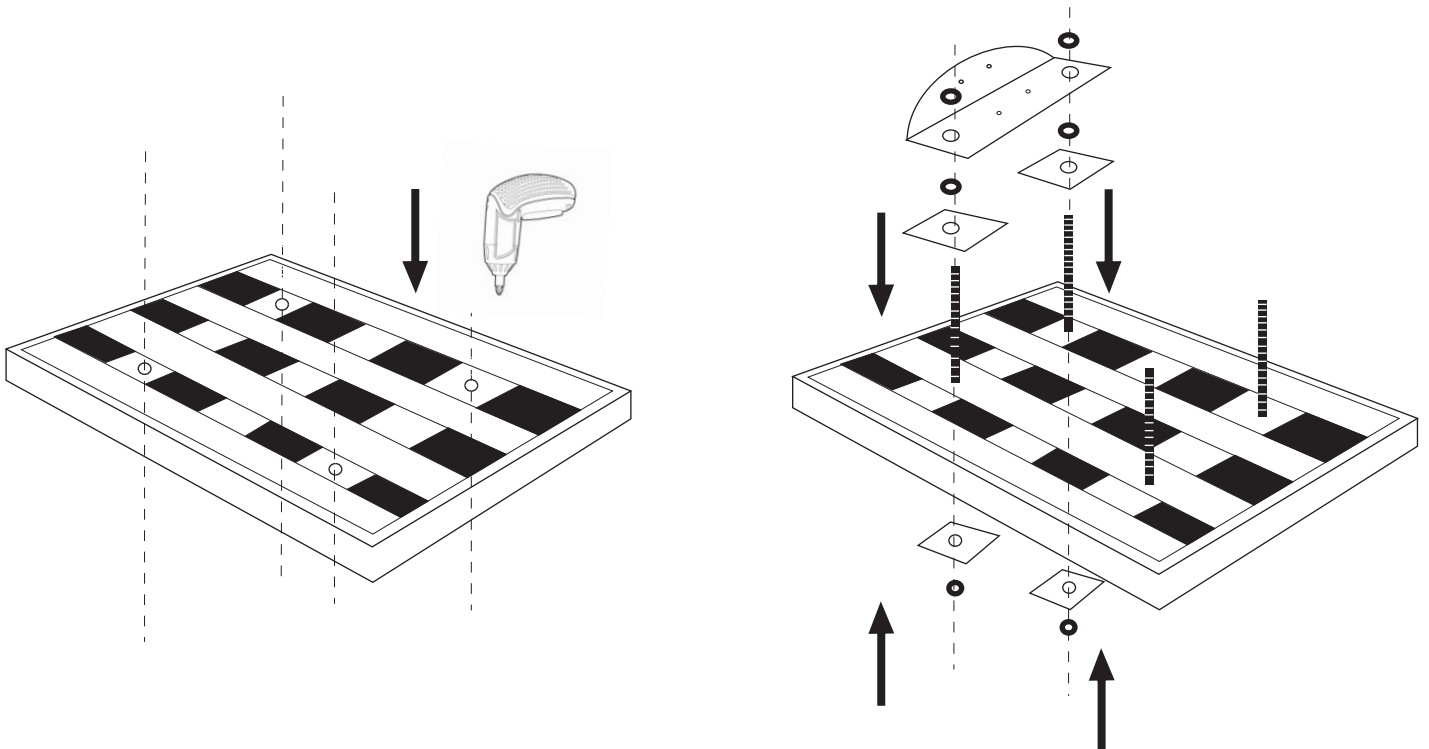
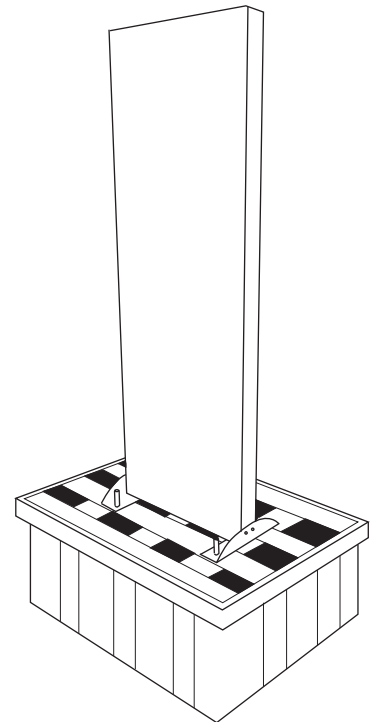
Contents

1 x Water wall
1 x Hose
1 x Pump
1 x Flow
adjuster
1 x Plastic grid

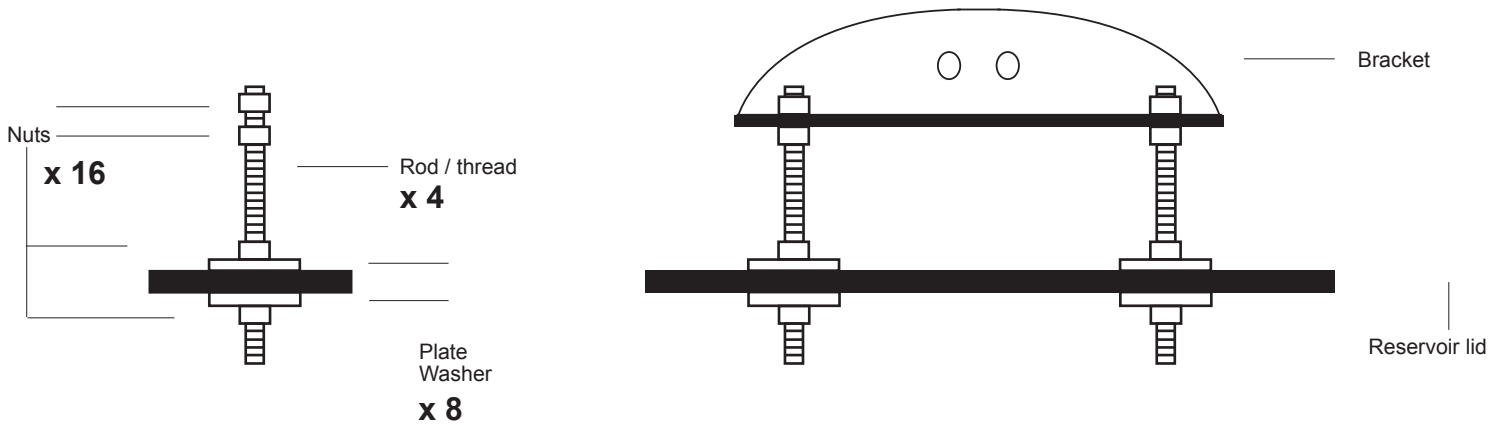
1 x Hose Clamp
1 x Rectangular reservoir
2 x Steel feet
4 x Metal rod
8 x Plate washers
16x Nuts



1. Attach both stainless steel bracket/feet on the bottom of the water wall. (Left and right side).
2. Place plastic lid on top of plastic reservoir.
3. Position your water wall in the middle of the plastic lid. Mark the holes up. (Need two people to lift and hold the feature in place.)
4. Take the wall down and drill 4 holes (2 for each bracket) and bolt the steel feet onto the plastic lid. Please view diagram below. Bolt the underside first and bolt the bracket with wall last.



Cross section



5. Connect hose to the pipe inlet of the feature. Note: cut the hose up to connect adjustor. Add flow adjustor on the hose. Connect the other hose from adjustor to pump.

6. Place pump in the reservoir, add support legs (which holds the weight of the feature) Fill the reservoir up with water. Make sure the pump is submerged. Wire the pump up into 3 pin plug (10m cable).

7. Place the feature (bolted onto the lid) on top of the reservoir.

8. Decorate by placing pebbles (not included) around the reservoir lid.

Note: Splashing may occur.

Please adjust the flow adjustor to minimise splashing. Or drill more holes to allow water to run down quickly back into the reservoir.

